

# ECS-9655 GTX1050

Intel® Xeon®/Core™ i7 GPU Computing System with Intel® CM236 & NVIDIA® GeForce® GTX 1050 Ti/GTX 1050, NVIDIA® Pascal™ architecture, 2 GigE LAN, Dual 10GigE LAN, 2 SSD Tray, 4 SIM, 6 USB 3.0, 4 COM, 16 Isolated DIO, Independent Graphics



## Features

- Dual 10GigE LAN support up to 10Gbps data rate
- Workstation-grade Intel® Xeon®/Core™ i7 Processor (Skylake-H) with Intel® CM236 Chipset
- NVIDIA® GeForce® GTX 10 Series graphics engine supports NVIDIA® Pascal™ GPU architecture, up to 8K resolution
- 1 VGA, 2DVI, 1 HDMI & 3 DisplayPort, up to 6 independent HD displays
- 2 DDR4 2133MHz Memory, up to 32GB (ECC/Non-ECC)
- 2 GigE LAN, 2 SSD Tray, 6 USB 3.0, 4 COM
- 16 Isolated DIO, 4 Mini PCIe/mSATA
- 4 SIM Card Socket for WiFi/4G/3G/LTE/GPRS/UMTS
- 10V to 36V DC-in with 80V Surge Protection
- Configurable Ignition Power Control



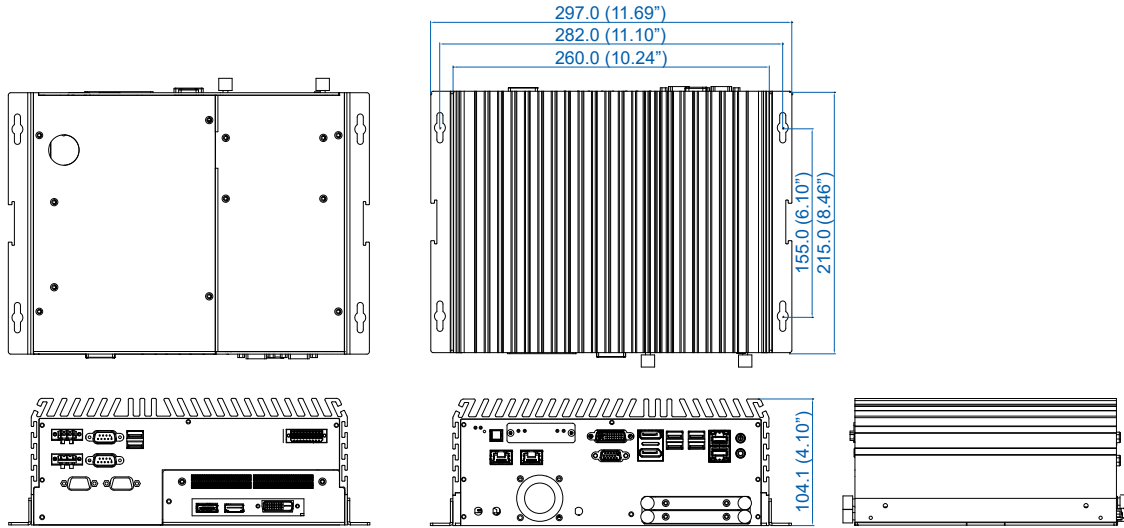
## Specifications

System	
Processor	Intel® Xeon® E3-1505M v5/Core™ i7-6820EQ Processor (Skylake-H)
Chipset	Intel® CM236
BIOS	AMI
SIO	IT8786E
Memory	2 DDR4 2133MHz SO-DIMM, up to 32GB (ECC/Non-ECC)
I/O Interface	
Serial	4 COM RS-232/422/485 (ESD 8KV)
USB	<ul style="list-style-type: none"> <li>▪ 6 USB 3.0 (External)</li> <li>▪ 1 USB 2.0 (Internal)</li> </ul>
Isolated DIO	16 Isolated DIO : 8 DI, 8 DO
LED	Power, HDD, Wireless
SIM Card	4 SIM Card Socket (3 External, 1 Internal)
Expansion	
Mini PCIe	4 Mini PCIe Socket : <ul style="list-style-type: none"> <li>▪ 3 Full-size for PCIe/USB/External SIM Card/mSATA</li> <li>▪ 1 Full-size for PCIe/Internal SIM Card/mSATA</li> </ul>
Graphics	
Graphics Processor	<ul style="list-style-type: none"> <li>▪ Intel® HD Graphics P530/530</li> <li>▪ NVIDIA® GeForce® GTX 1050 Ti/GTX 1050</li> </ul>
Interface	7 Display interfaces : <ul style="list-style-type: none"> <li>▪ 2 DVI : Up to 1920 x 1200 @ 60 Hz</li> <li>▪ 1 DisplayPort : Up to 7680 x 3840 @ 60Hz</li> <li>▪ 2 DisplayPort : Up to 4096 x 2304 @ 60Hz</li> <li>▪ 1 VGA : Up to 1920 x 1200 @ 60Hz</li> <li>▪ 1 HDMI : Up to 4096 x 2160 @ 60Hz</li> </ul>
Storage	
SATA	4 SATA III support S/W RAID 0, 1, 5, 10 : <ul style="list-style-type: none"> <li>▪ 3 SATA III (6Gbps)</li> <li>▪ 1 SATA III co-lay with Mini PCIe (6Gbps)</li> </ul>
mSATA	4 mSATA connections : <ul style="list-style-type: none"> <li>▪ 3 SATA III (Mini PCIe Type, 6Gbps)</li> <li>▪ 1 SATA III co-lay with SATA (Mini PCIe Type, 6Gbps)</li> </ul>
Storage Device	<ul style="list-style-type: none"> <li>▪ 1 CFast Socket, Push-in/Push-out Ejector</li> <li>▪ 2 Front-access 2.5" SSD/HDD Tray</li> </ul>
Audio	
Audio Codec	Realtek ALC888S-VD, 7.1 Channel HD Audio
Audio Interface	1 Mic-in, 1 Line-out
Ethernet	
LAN 1	Intel® I219LM GigE LAN supports iAMT 11.0
LAN 2	Intel® I210 GigE LAN

10G Ethernet	
LAN 3	Intel® X550-AT2 10GigE LAN
LAN 4	Intel® X550-AT2 10GigE LAN
Power	
Power Input	10V to 36V, DC-in
Power Interface	3-pin Terminal Block : V+, V-, Frame Ground
Ignition Control	16 Mode (Internal)
Remote Switch	3-pin Terminal Block : On, Off, IGN
Surge Protection	Up to 80V/1ms Transient Power
Others	
TPM	Optional Infineon SLB9665 supports TPM 2.0, LPC Interface
Watchdog Timer	Reset : 1 to 255 sec./min. per step
Smart Management	Wake on LAN, PXE supported
HW Monitor	Monitoring temperature, voltages. Auto throttling control when CPU overheats.
Software Support	
OS	Windows 10, Windows 8.1, Windows 7, Linux
Mechanical	
Dimensions (W x L x H)	260mm x 215mm x 104mm (10.2" x 8.5" x 4.1")
Weight	4.7 kg (10.36 lb)
Mounting	<ul style="list-style-type: none"> <li>▪ Wallmount by mounting bracket</li> <li>▪ DIN Rail Mount (Optional)</li> </ul>
Environment	
Operating Temperature	-20°C to 55°C (-4°F to 131°F)
Storage Temperature	-40°C to 85°C (-40°F to 185°F)
Humidity	5% to 95% Humidity, non-condensing
Relative Humidity	95% at 55°C
Shock	<ul style="list-style-type: none"> <li>▪ IEC 60068-2-27</li> <li>▪ SSD : 50G @ wallmount, Half-sine, 11ms</li> </ul>
Vibration	<ul style="list-style-type: none"> <li>▪ IEC 60068-2-64</li> <li>▪ SSD : 5Grms, 5Hz to 500Hz, 3 Axis</li> </ul>
EMC	E13, CE, FCC, EN50155, EN50121-3-2

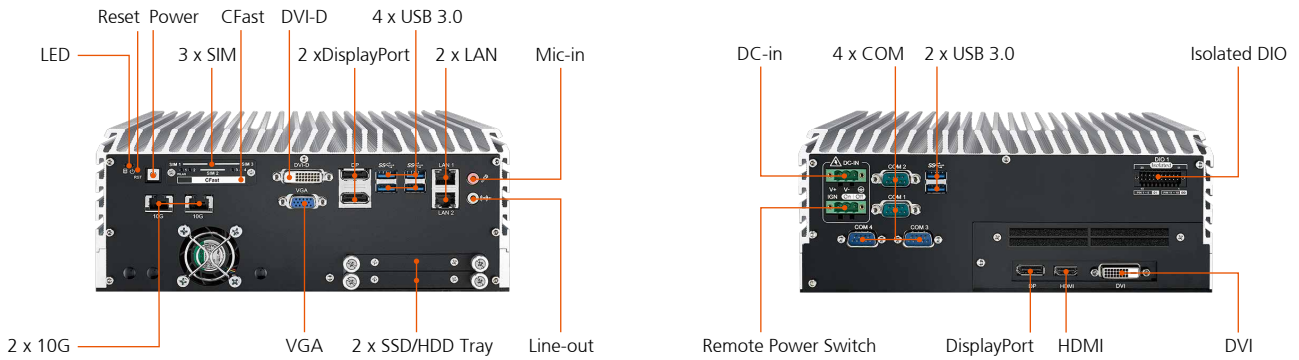
## Dimensions

Unit : mm/ inch



## Front I/O

## Rear I/O



## Order Information

<b>ECS-9655-505M-GTX1050T</b>	ECS-9600, Intel® Xeon® E3-1505M v5, NVIDIA® GeForce® GTX 1050 Ti, 2 GigE LAN, 2 10G RJ45 (ECC supported)
<b>ECS-9655-505M-GTX1050</b>	ECS-9600, Intel® Xeon® E3-1505M v5, NVIDIA® GeForce® GTX 1050, 2 GigE LAN, 2 10G RJ45 (ECC supported)
<b>ECS-9655-820Q-GTX1050T</b>	ECS-9600, Intel® Core™ i7-6820EQ, NVIDIA® GeForce® GTX 1050 Ti, 2 GigE LAN, 2 10G RJ45
<b>ECS-9655-820Q-GTX1050</b>	ECS-9600, Intel® Core™ i7-6820EQ, NVIDIA® GeForce® GTX 1050, 2 GigE LAN, 2 10G RJ45

## Accessories

<b>DDR4 16G</b>	Certified DDR4 16GB 2133MHz RAM
<b>DDR4 8G</b>	Certified DDR4 8GB 2133MHz RAM
<b>DDR4 4G</b>	Certified DDR4 4GB 2133MHz RAM
<b>PWA-280W-WT</b>	280W, 24V, 85V AC to 264V AC Power Adapter with 3-pin Terminal Block, Wide Temperature -30°C to +70°C
<b>PWA-160W-WT</b>	160W, 24V, 85V AC to 264V AC Power Adapter with 3-pin Terminal Block, Wide Temperature -30°C to +70°C
<b>VESA Mount</b>	VESA Mounting Kit
<b>DIN-RAIL</b>	DIN Rail Kit
<b>Rack Mount</b>	2U Rackmount Kit
<b>TMK2-20P-100</b>	Terminal Block 20-pin to Terminal Block 20-pin Cable, 100cm
<b>TMK2-20P-500</b>	Terminal Block 20-pin to Terminal Block 20-pin Cable, 500cm
<b>TMB-TMBK-20P</b>	Terminal Board with One 20-pin Terminal Block Connector and DIN-Rail Mounting
<b>4G Module</b>	Mini PCIe 4G/GPS Module with Antenna
<b>WiFi &amp; Bluetooth</b>	WiFi & Bluetooth Module with Antenna